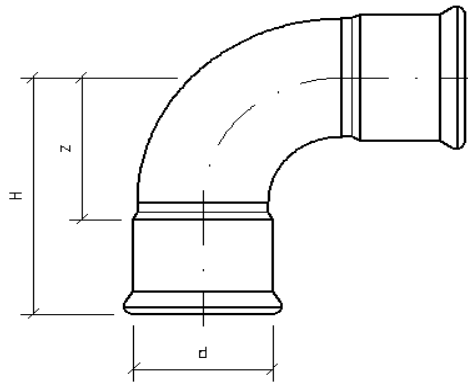




Z-Maße / Installation dimensions

Bogen 90°, beidseitig mit  
Universalpressanschluss

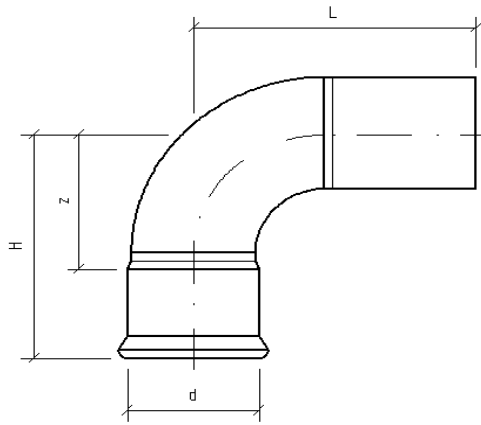
Bend 90°, female ends



SANHA-Press / PURAPRESS	SANHA-Press Gas	SANHA-Press Solar	d [mm]	H [mm]	z [mm]
16002A12	110002A12	112002A12	12	30	15
16002A14	110002A14		14	36	18
16002A15	110002A15	112002A15	15	36	18
16002A16	110002A16		16	36	18
16002A18	110002A18	112002A18	18	42	22
16002A22	110002A22	112002A22	22	50	27
16002A28	110002A28	112002A28	28	61	34
16002A35	110002A35	112002A35	35	75	43
16002A42	110002A42	112002A42	42	89	51
16002A54	110002A54	112002A54	54	108	65
16002A64		112002A64	64	125	78
16002A67			66,7	129	81
16002A76		112002A76	76,1	142	92
16002A89		112002A89	88,9	164	108
16002A108		112002A108	108	200	131

Bogen 90°, mit Universalpressanschluss und Einsteckende

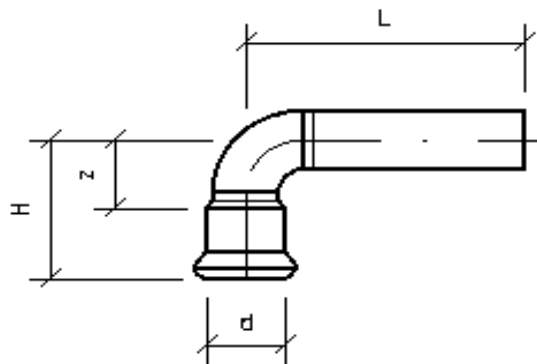
Bend 90°, female and male plain ends



SANHA-Press / PURAPRESS	SANHA-Press Gas	SANHA-Press Solar	d [mm]	H [mm]	L [mm]	z [mm]
16001A12	110001A12	112001A12	12	30	40	15
16001A14	110001A14		14	36	44	18
16001A15	110001A15	112001A15	15	36	44	18
16001A16	110001A16		16	36	44	18
16001A18	110001A18	112001A18	18	42	50	22
16001A22	110001A22	112001A22	22	50	58	27
16001A28	110001A28	112001A28	28	61	68	34
16001A35	110001A35	112001A35	35	75	82	43
16001A42	110001A42	112001A42	42	89	103	51
16001A54	110001A54	112001A54	54	108	123	65
16001A64		112001A64	64	125	142	78
16001A67			66,7	129	147	81
16001A76		112001A76	76,1	142	160	92
16001A89		112001A89	88,9	164	184	108
16001A108		112001A108	108	200	227	131

Bogen 90°, lang, mit Universalpressanschluss und Einsteckende

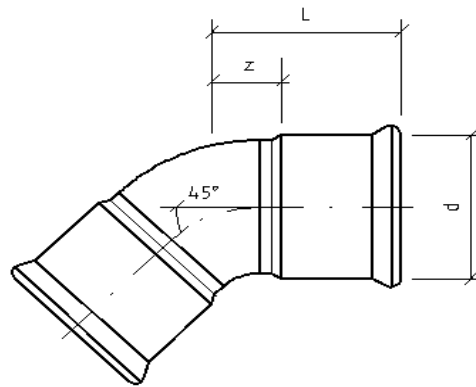
Bend 90°, long, female and male plain ends



SANHA-Press / PURAPRESS	SANHA-Press Gas	SANHA-Press Solar	d [mm]	H [mm]	L [mm]	z [mm]
16001L15			15	36	64	18

Bogen 45°, beidseitig mit  
Universalpressanschluss

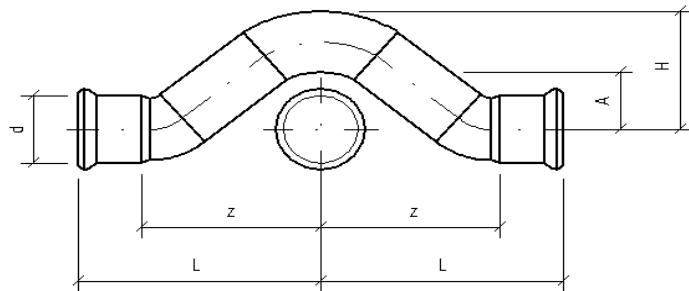
Bend 45°, female ends



SANHA-Press / PURAPRESS	SANHA-Press Gas	SANHA-Press Solar	d [mm]	L [mm]	z [mm]
1604112	11004112	11204112	12	22	6
1604114	11004114		14	26	8
1604115	11004115	11204115	15	26	8
1604116	11004116		16	26	8
1604118	11004118	11204118	18	29	9
1604122	11004122	11204122	22	35	11
1604128	11004128	11204128	28	41	14
1604135	11004135	11204135	35	50	18
1604142	11004142	11204142	42	59	21
1604154	11004154	11204154	54	70	27
1604164		11204164	64	80	33
1604167			66,7	82	34
1604176		11204176	76,1	89	39
1604189		11204189	88,9	101	45
16041108		112041108	108	124	55

Überspringbogen, beidseitig mit  
Universalpressanschluss

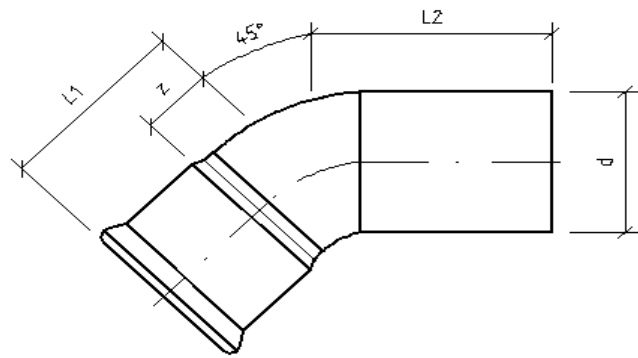
Crossover, female ends



SANHA-Press / PURAPRESS	SANHA-Press Gas	SANHA-Press Solar	d [mm]	A [mm]	H [mm]	L [mm]	z [mm]
1608512	11008512	11208512	12	18	40	110	78
1608514			14	19	44	124	89
1608515	11008515	11208515	15	19	46	124	89
1608516			16	18	46	124	89
1608518	11008518	11208518	18	21	52	142	102
1608522	11008522	11208522	22	25	63	172	125
1608528	11008528	11208528	28	28	75	203	150

Bogen 45°, mit Universalpressanschluss und Einsteckende

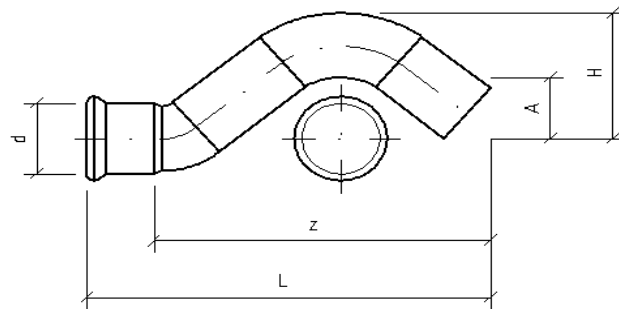
Bend 45°, female and male plain ends



SANHA-Press / PURAPRESS	SANHA-Press Gas	SANHA-Press Solar	d [mm]	L1 [mm]	L2 [mm]	z [mm]
1604012	11004012	11204012	12	22	30	6
1604014	11004014		14	26	34	8
1604015	11004015	11204015	15	26	34	8
1604016	11004016		16	26	34	8
1604018	11004018	11204018	18	29	37	9
1604022	11004022	11204022	22	35	43	11
1604028	11004028	11204028	28	41	49	14
1604035	11004035	11204035	35	50	58	18
1604042	11004042	11204042	42	59	74	21
1604054	11004054	11204054	54	70	85	27
1604064		11204064	64	80	97	33
1604067			66,7	82	100	34
1604076		11204076	76,1	89	105	39
1604089		11204089	88,9	101	119	45
16040108		112040108	108	124	145	55

Überspringbogen, mit Universalpressanschluss und Einsteckende

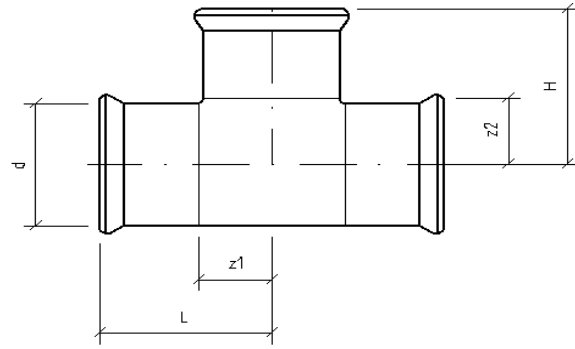
Crossover, female and male plain end



SANHA-Press / PURAPRESS	SANHA-Press Gas	SANHA-Press Solar	d [mm]	A [mm]	H [mm]	L [mm]	z [mm]
1608612	11008612	11208612	12	18	40	87	71
1608614			14	19	44	97	80
1608615	11008615	11208615	15	19	46	98	80
1608616			16	18	46	98	80
1608618	11008618	11208618	18	21	52	111	92
1608622	11008622	11208622	22	25	63	136	112
1608628	11008628	11208628	28	28	75	161	134

**T-Stück, allseitig mit  
Universalpressanschluss**

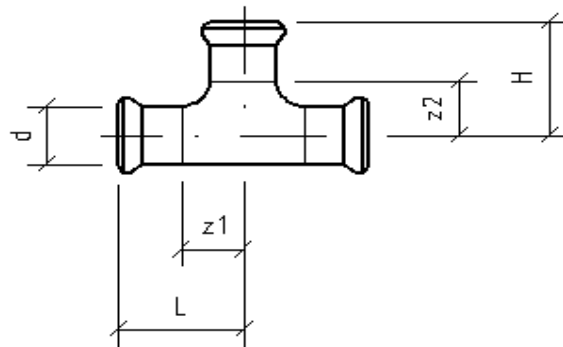
**Tee, female ends**



SANHA-Press / PURAPRESS	SANHA-Press Gas	SANHA-Press Solar	d [mm]	H [mm]	L [mm]	z1 [mm]	z2 [mm]
1613012	11013012	11213012	12	23	23	8	8
1613014	11013014		14	27	27	9	9
1613015	11013015	11213015	15	27	34	16	9
1613016	11013016		16	28	28	10	10
1613018	11013018	11213018	18	31	36	16	11
1613022	11013022	11213022	22	37	39	15	13
1613028	11013028	11213028	28	43	43	17	17
1613035	11013035	11213035	35	53	53	21	21
1613042	11013042	11213042	42	63	63	25	25
1613054	11013054	11213054	54	73	73	31	31
1613064		11213064	64	98	86	39	51
1613067			66,7	100	89	41	51
1613076		11213076	76,1	106	97	47	57
1613089		11213089	88,9	121	111	55	65
16130108		112130108	108	145	135	65	75

**T-Stück, lang, allseitig mit  
Universalpressanschluss**

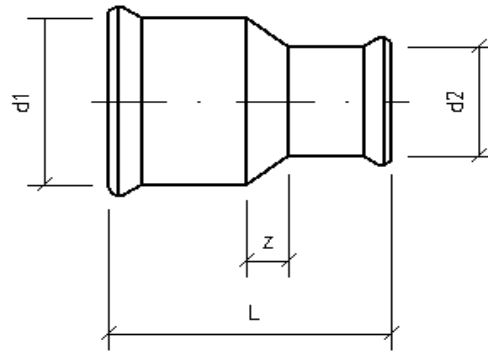
**Tee, long, female ends**



SANHA-Press / PURAPRESS	SANHA-Press Gas	SANHA-Press Solar	d [mm]	H [mm]	L [mm]	z1 [mm]	z2 [mm]
16130L15			15	34	34	16	16

Reduziermuffe, beidseitig mit  
Universalpressanschluss

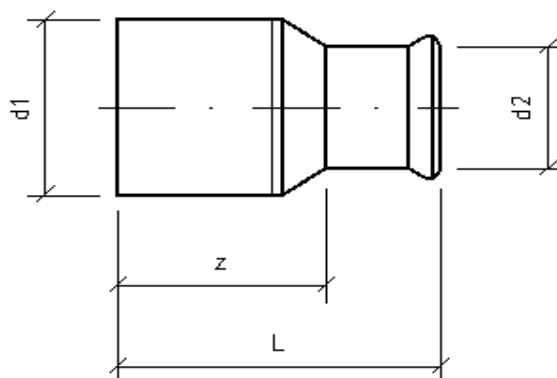
Reducing coupling, female ends



SANHA-Press / PURAPRESS	SANHA-Press Gas	SANHA-Press Solar	d1 [mm]	d2 [mm]	L [mm]	z [mm]
162401412	1102401412		14	12	37	4
162401512	1102401512	1122401512	15	12	38	4
162401514			15	14	38	3
162401614	1102401614		16	14	39	4
162401812	1102401812	1122401812	18	12	42	6
162401814	1102401814		18	14	42	5
162401815	1102401815	1122401815	18	15	42	4
162401816	1102401816		18	16	41	4
162402214	1102402214		22	14	49	8
162402215	1102402215	1122402215	22	15	48	6
162402216	1102402216		22	16	47	6
162402218	1102402218	1122402218	22	18	49	5
162402814	1102402814		28	14	55	10
162402815	1102402815	1122402815	28	15	54	10
162402816	1102402816		28	16	54	9
162402818	1102402818	1122402818	28	18	55	8
162402822	1102402822	1122402822	28	22	57	6
162403522	1102403522	1122403522	35	22	65	10
162403528	1102403528	1122403528	35	28	66	7
162404222	1102404222	1122404222	42	22	75	13
162404228	1102404228	1122404228	42	28	75	10
162404235	1102404235	1122404235	42	35	77	7
162405428	1102405428	1122405428	54	28	86	16
162405435	1102405435	1122405435	54	35	88	13
162405442	1102405442	1122405442	54	42	90	9

Reduzierstück, mit Universal-  
pressanschluss und Einsteck-  
ende

Reducer, female and male plain  
ends

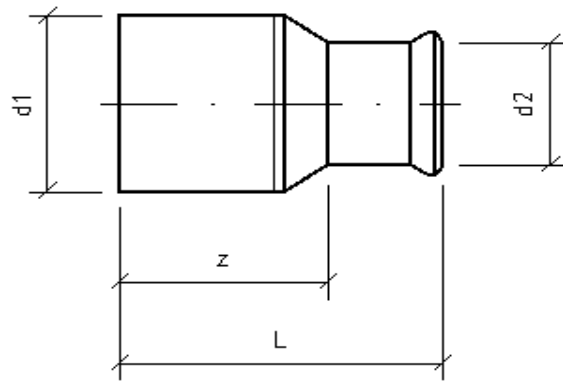


SANHA-Press / PURAPRESS	SANHA-Press Gas	SANHA-Press Solar	d1 [mm]	d2 [mm]	L [mm]	z [mm]
162431412	1102431412		14	12	40	25
162431512	1102431512	1122431512	15	12	40	24
162431514	1102431514		15	14	50	32
162431612	1102431612		16	12	41	26
162431614	1102431614		16	14	43	25
162431812	1102431812	1122431812	18	12	44	28
162431814	1102431814		18	14	45	27
162431815	1102431815	1122431815	18	15	44	26
162431816	1102431816		18	16	45	27
162432214	1102432214		22	14	51	33
162432215	1102432215	1122432215	22	15	51	33
162432216	1102432216		22	16	50	32
162432218	1102432218	1122432218	22	18	50	30
162432814	1102432814		28	14	59	41
162432815	1102432815	1122432815	28	15	57	39
162432816	1102432816		28	16	58	40
162432818	1102432818	1122432818	28	18	57	37
162432822	1102432822	1122432822	28	22	58	34
162433522	1102433522	1122433522	35	22	68	44
162433528	1102433528	1122433528	35	28	67	40
162434222	1102434222	1122434222	42	22	77	54
162434228	1102434228	1122434228	42	28	77	51
162434235	1102434235	1122434235	42	35	78	46
162435435	1102435435	1122435435	54	35	90	58
162435442	1102435442	1122435442	54	42	91	53
162436442		1122436442	64	42	127	89
162436454		1122436454	64	54	124	81
162436728			66,7	28	124	98
162436735			66,7	35	126	94
162436742			66,7	42	129	91
162436754			66,7	54	128	85
162437635		1122437635	76,1	35	131	99
162437642		1122437642	76,1	42	133	95
162437654		1122437654	76,1	54	133	90
162437664		1122437664	76,1	64	130	83
162437667			76,1	66,7	129	81
162438954		1122438954	88,9	54	149	106
162438964		1122438964	88,9	64	148	101
162438976		1122438976	88,9	76,1	145	95



Reduzierstück, mit Universalpressanschluss und Einsteckende

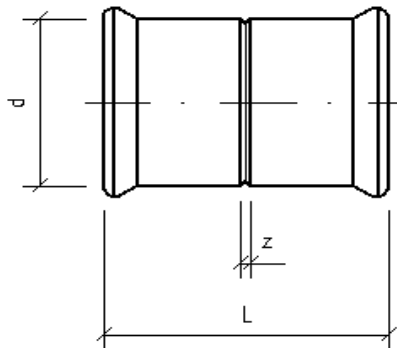
Reducer, female and male plain ends



SANHA-Press / PURAPRESS	SANHA-Press Gas	SANHA-Press Solar	d1 [mm]	d2 [mm]	L [mm]	z [mm]
1624310842		11224310842	108	42	179	141
1624310854		11224310854	108	54	179	136
1624310864		11224310864	108	64	178	131
1624310867			108	66,7	178	129
1624310876		11224310876	108	76,1	174	124
1624310889		11224310889	108	88,9	174	118

Muffe, beidseitig mit Universalpressanschluss

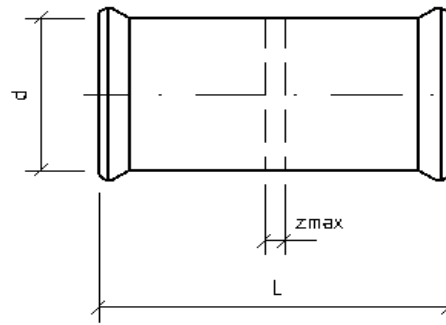
Coupling, female ends



SANHA-Press / PURAPRESS	SANHA-Press Gas	SANHA-Press Solar	d [mm]	L [mm]	z [mm]
1627012	11027012	11227012	12	33	2
1627014	11027014		14	37	2
1627015	11027015	11227015	15	38	2
1627016	11027016		16	37	2
1627018	11027018	11227018	18	42	2
1627022	11027022	11227022	22	49	2
1627028	11027028	11227028	28	55	2
1627035	11027035	11227035	35	66	2
1627042	11027042	11227042	42	79	3
1627054	11027054	11227054	54	88	3
1627064		11227064	64	110	17
1627067			66,7	112	17
1627076		11227076	76,1	116	17
1627089		11227089	88,9	128	17
16270108		112270108	108	156	17

Schiebemuffe, beidseitig mit  
Universalpressanschluss

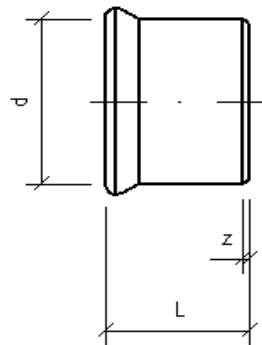
Slip coupling, female ends



SANHA-Press / PURAPRESS	SANHA-Press Gas	SANHA-Press Solar	d [mm]	L [mm]	z [mm]
16270S12	110270S12	112270S12	12	41	9
16270S15	110270S15	112270S15	15	47	11
16270S18	110270S18	112270S18	18	53	13
16270S22	110270S22	112270S22	22	64	16
16270S28	110270S28	112270S28	28	72	18
16270S35	110270S35	112270S35	35	88	24
16270S42	110270S42	112270S42	42	104	28
16270S54	110270S54	112270S54	54	119	33
16270S64		112270S64	64	111	18
16270S67			66,7	113	18
16270S76		112270S76	76,1	117	18
16270S89		112270S89	88,9	129	18

Kappe, mit  
Universalpressanschluss

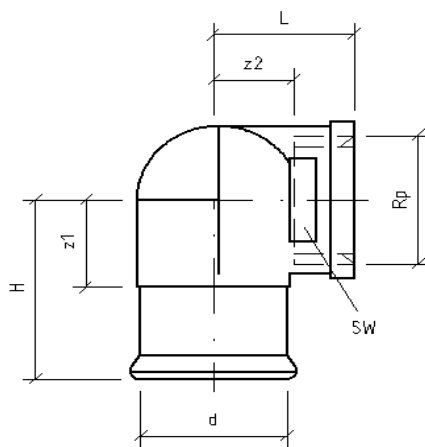
Cap, female end



SANHA-Press / PURAPRESS	SANHA-Press Gas	SANHA-Press Solar	d [mm]	L [mm]	z [mm]
1630112	11030112	11230112	12	16	0
1630114	11030114		14	18	0
1630115	11030115	11230115	15	18	0
1630116	11030116		16	18	0
1630118	11030118	11230118	18	20	0
1630122	11030122	11230122	22	24	0
1630128	11030128	11230128	28	27	0
1630135	11030135	11230135	35	32	0
1630142	11030142	11230142	42	38	0
1630154	11030154	11230154	54	43	0
1630164		112301124	64	47	0
1630167			66,7	48	0
1630176		11230176	76,1	50	0
1630189		11230189	88,9	56	0
16301108		112301108	108	70	0

Winkel 90°, mit Universalpress-anschluss und Innengewinde

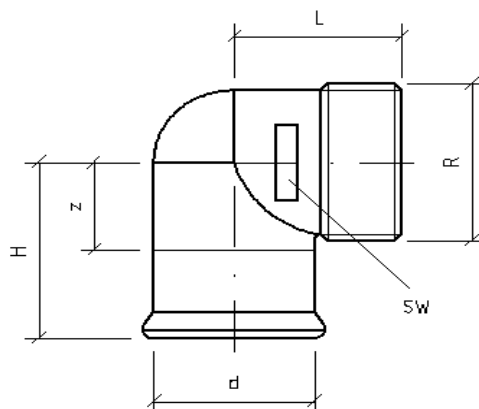
Elbow 90°, female end and female thread



SANHA-Press / PURAPRESS	SANHA-Press Gas	SANHA-Press Solar	d [mm]	Rp	H [mm]	L [mm]	SW [mm]	z1 [mm]	z2 [mm]
180901238			12	3/8	27	18	22	11	8
180901212	1110901212		12	1/2	30	22	26	14	9
180901412			14	1/2	33	23	26	15	10
180901538			15	3/8	33	19	26	15	9
180901512	1110901512	1130901512	15	1/2	33	23	26	15	10
180901534	1110901534	1130901534	15	3/4	36	27	32	18	12
180901612	1110901612		16	1/2	33	23	26	15	10
180901812	1110901812	1130901812	18	1/2	33	25	26	13	12
180901834	1110901834	1130901834	18	3/4	36	27	32	16	12
180902212	1110902212	1130902212	22	1/2	37	27	26	13	14
180902234	1110902234	1130902234	22	3/4	40	29	32	16	14
18090221	111090221	113090221	22	1	44	30	39	20	13
180902812			28	1/2	46	29	39	19	16
180902834	1110902834	1130902834	28	3/4	46	31	39	19	16
18090281	111090281	113090281	28	1	46	33	39	19	16
1809035114	11109035114	11309035114	35	1 1/4	57	42	49	25	23
1809042112	11109042112	11309042112	42	1 1/2	65	45	55	27	26
18090542	111090542	113090542	54	2	78	55	68	36	31

Winkel 90°, mit Universalpress-  
anschluss und Außengewinde

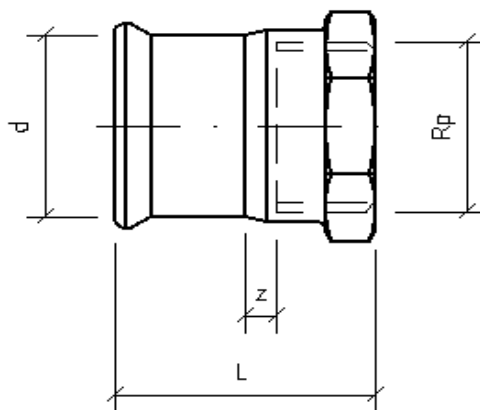
Elbow 90°, female end and male  
thread



SANHA-Press / PURAPRESS	SANHA-Press Gas	SANHA-Press Solar	d [mm]	R	H [mm]	L [mm]	SW [mm]	z [mm]
180921238			12	3/8	25	22	17	9
180921212			12	1/2	26	25	19	10
180921412	1110921412		14	1/2	27	26	20	9
180921538			15	3/8	27	25	20	9
180921512	1110921512	1130921512	15	1/2	27	26	20	9
180921612	1110921612		16	1/2	30	28	20	12
180921812	1110921812	1130921812	18	1/2	30	28	20	10
180921834	1110921834	1130921834	18	3/4	35	33	26	15
180922212	1110922212		22	1/2	36	33	26	12
180922234	1110922234	1130922234	22	3/4	36	33	26	12
18092221	111092221	113092221	22	1	42	38	32	18
18092281	111092281	113092281	28	1	42	38	32	15
1809235114	11109235114	11309235114	35	1 1/4	52	45	40	20
1809242112	11109242112	11309242112	42	1 1/2	59	48	45	22
18092542	111092542	113092542	54	2	70	59	58	28

Übergangsmuffe, mit Universal-  
pressanschluss und Innen-  
gewinde

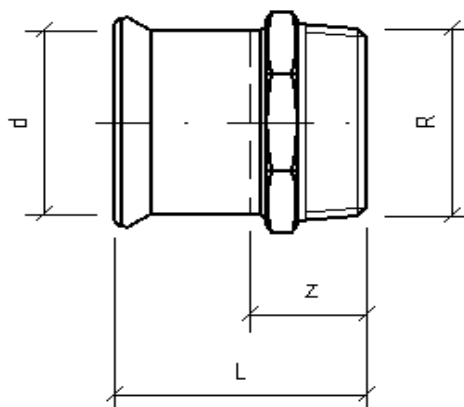
Transition coupling, female end  
and female thread



SANHA-Press / PURAPRESS	SANHA-Press Gas	SANHA-Press Solar	d [mm]	Rp	L [mm]	SW [mm]	z [mm]
182701238	1112701238	1132701238	12	3/8	30	20	4
182701212	1112701212	1132701212	12	1/2	34	25	5
182701438			14	3/8	30	20	3
182701412	1112701412		14	1/2	33	25	3
182701538		1132701538	15	3/8	30	20	2
182701512	1112701512	1132701512	15	1/2	35	25	4
182701534	1112701534	1132701534	15	3/4	40	30	7
182701612	1112701612		16	1/2	33	25	2
182701634			16	3/4	40	30	7
182701812	1112701812	1132701812	18	1/2	36	25	3
182701834	1112701834	1132701834	18	3/4	40	32	5
182702212	1112702212	1132702212	22	1/2	39	26	2
182702234	1112702234	1132702234	22	3/4	42	32	3
18270221	111270221	113270221	22	1	48	38	7
182702834	1112702834	1132702834	28	3/4	44	32	2
18270281	111270281	113270281	28	1	48	38	4
1827028114	11127028114	11327028114	28	1 1/4	55	47	9
18270351	111270351	113270351	35	1	49	40	0
1827035114	11127035114	11327035114	35	1 1/4	58	47	7
1827035112			35	1 1/2	59	55	8
1827042114	11127042114	11327042114	42	1 1/4	61	47	4
1827042112	11127042112	11327042112	42	1 1/2	62	55	5
1827054112	11127054112	11327054112	54	1 1/2	67	55	5
18270542	111270542	113270542	54	2	73	65	6
1827064212		11327064212	64	2 1/2	84	85	7
1827067212			66,7	2 1/2	85	85	7
1827076212		11327076212	76,1	2 1/2	86	85	6
18270893		113270893	88,9	3	96	95	4

Übergangsnippel, mit Universal-  
pressanschluss und Außen-  
gewinde

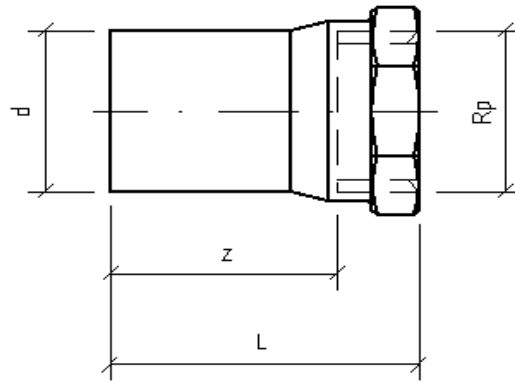
Adaptor, female end and male  
thread



SANHA-Press / PURAPRESS	SANHA-Press Gas	SANHA-Press Solar	d [mm]	R	L [mm]	SW [mm]	z [mm]
182431238	1112431238	1132431238	12	3/8	30	18	14
182431212	1112431212		12	1/2	39	22	23
182431438			14	3/8	32	18	14
182431412	1112431412		14	1/2	34	22	16
182431538	1112431538		15	3/8	34	19	16
182431512	1112431512	1132431512	15	1/2	38	22	20
182431534	1112431534	1132431534	15	3/4	41	27	23
182431612	1112431612		16	1/2	36	22	18
182431634	1112431634		16	3/4	38	27	18
182431812	1112431812	1132431812	18	1/2	41	23	21
182431834	1112431834	1132431834	18	3/4	45	28	25
182432212	1112432212	1132432212	22	1/2	45	26	21
182432234	1112432234	1132432234	22	3/4	48	28	24
18243221	111243221	113243221	22	1	53	36	29
182432834	1112432834	1132432834	28	3/4	49	32	22
18243281	111243281	113243281	28	1	52	36	25
1824328114	11124328114	11324328114	28	1 1/4	59	46	34
18243351	111243351	113243351	35	1	54	41	22
1824335114	11124335114	11324335114	35	1 1/4	58	46	26
1824335112	11124335112		35	1 1/2	58	50	26
1824342114	11124342114	11324342114	42	1 1/4	68	50	31
1824342112	11124342112	11324342112	42	1 1/2	68	50	31
1824354112	11124354112	11324354112	54	1 1/2	71	60	29
18243542	111243542	113243542	54	2	73	60	31
1824364212		11324364212	64	2 1/2	83	71	36
1824367212			66,7	2 1/2	85	77	37
1824376212		11324376212	76,1	2 1/2	88	82	38
18243763		113243763	76,1	3	92	90	42
18243893		113243893	88,9	3	97	95	41
182431084		1132431084	108	4	120	117	51

Übergangsmuffennippel, mit  
Einsteckende und Innengewinde

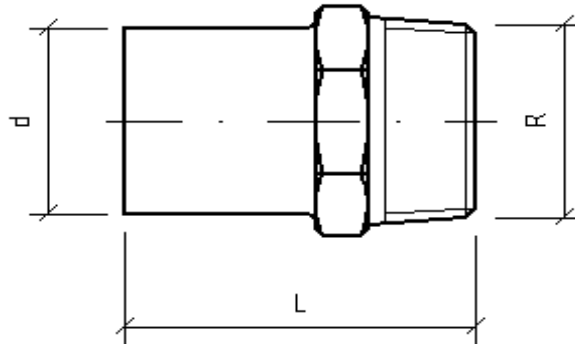
Transition element, male plain  
end and female thread



SANHA-Press / PURAPRESS	SANHA-Press Gas	SANHA-Press Solar	d [mm]	Rp	L [mm]	SW [mm]	z [mm]
	182461212		12	1/2	42	25	19
	182461538		15	3/8	39	20	29
	182461512		15	1/2	44	25	32
	182461812		18	1/2	45	25	32
	182461834		18	3/4	50	30	35
	182462212		22	1/2	46	25	33
	182462234		22	3/4	51	30	36
	182462834		28	3/4	51	30	36
	18246281		28	1	55	38	38
	1824635114		35	1 1/4	69	46	50
	1824642112		42	1 1/2	80	55	61
	18246542		54	2	94	60	70

Doppelnippel, mit Einsteckende  
und Außengewinde

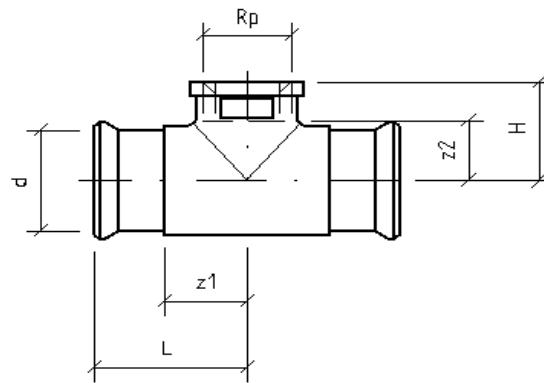
Adaptor, male plain end and male  
thread



SANHA-Press / PURAPRESS	SANHA-Press Gas	SANHA-Press Solar	d [mm]	R	L [mm]	SW [mm]
	182801212		12	1/2	44	16
	182801538		15	3/8	42	16
	182801512		15	1/2	46	16
	182801812		18	1/2	47	19
	182801834		18	3/4	51	19
	182802212		22	1/2	52	22
	182802234		22	3/4	52	22
	182802834		28	3/4	60	27
	18280281		28	1	64	34
	1828035114		35	1 1/4	72	40
	1828042112		42	1 1/2	80	46
	18280542		54	2	92	60

T-Stück, beidseitig mit Universalpressanschluss und Innengewinde

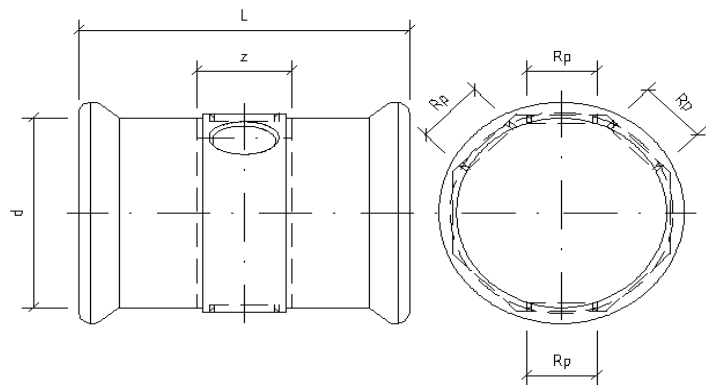
Tee, both sides female ends and female thread



SANHA-Press / PURAPRESS	SANHA-Press Gas	SANHA-Press Solar	d [mm]	Rp	H [mm]	L [mm]	SW [mm]	z1 [mm]	z2 [mm]
181301212		1131301212	12	1/2	22	29	26	13	9
181301412			14	1/2	23	31	26	13	10
181301538			15	3/8	19	31	26	13	9
181301512	1111301512	1131301512	15	1/2	23	31	26	13	10
181301612			16	1/2	25	34	26	15	12
181301812	1111301812	1131301812	18	1/2	25	33	26	13	12
181302212	1111302212	1131302212	22	1/2	27	37	26	13	14
181302234	1111302234	1131302234	22	3/4	29	40	32	16	14
181302812	1111302812	1131302812	28	1/2	29	40	26	13	16
181302834	1111302834	1131302834	28	3/4	31	42	32	15	16
181303512	1111303512	1131303512	35	1/2	32	45	26	13	19
18130351	111130351	113130351	35	1	37	52	39	20	20
181304212	1111304212	1131304212	42	1/2	36	51	47	14	23
181305412	1111305412	1131305412	54	1/2	42	55	59	14	29

T-Stück, beidseitig mit Universalpressanschluss und Innengewinde

Tee, both sides female ends and female thread

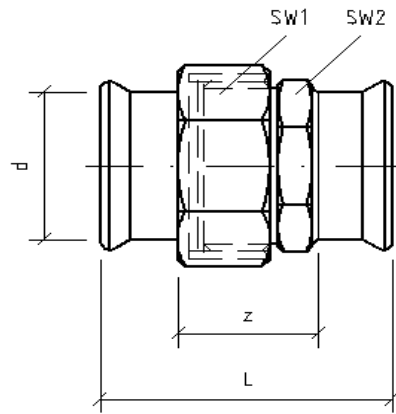


SANHA-Press / PURAPRESS	SANHA-Press Gas	SANHA-Press Solar	d [mm]	Rp	L [mm]	z [mm]
18270FC26712			66,7	1/2	127	31
18270FC27612			76,1	1/2	130	30
18270FC38934			88,9	3/4	147	35
18270FC410834			108	3/4	175	35



Verschraubung, flachdichtend,  
beidseitig mit Universalpress-  
anschluss

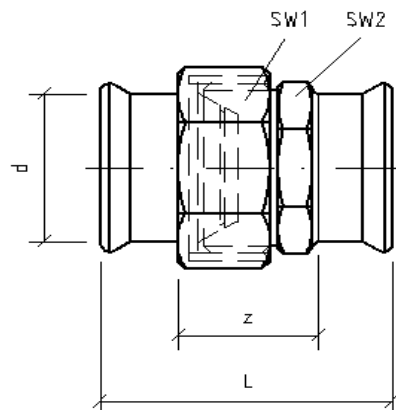
Union, flat seal, female ends



SANHA-Press / PURAPRESS	SANHA-Press Gas	SANHA-Press Solar	d [mm]	L [mm]	SW1 [mm]	SW2 [mm]	z [mm]
1833015		11333015	15	55	30	19	18
1833018		11333018	18	70	30	22	30
1833022		11333022	22	66	37	26	18
1833028		11333028	28	71	46	34	17
1833035		11333035	35	82	52	40	18
1833042		11333042	42	94	59	46	19
1833054		11333054	54	102	75	60	17

Verschraubung, konisch  
dichtend, beidseitig mit  
Universalpressanschluss

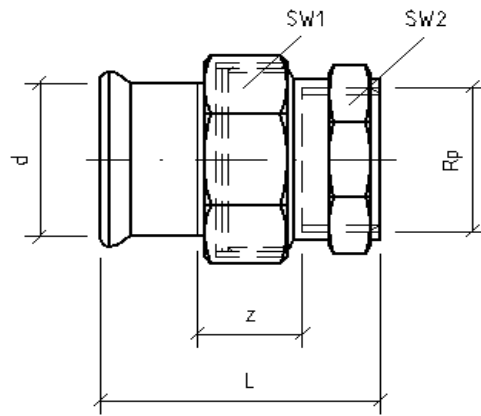
Union, conical seal, female ends



SANHA-Press / PURAPRESS	SANHA-Press Gas	SANHA-Press Solar	d [mm]	L [mm]	SW1 [mm]	SW2 [mm]	z [mm]
	11134015		15	66	34	31	30
	11134018		18	77	40	40	37
	11134022		22	82	40	40	34
	11134028		28	94	48	45	40
	11134035		35	102	59	55	38
	11134054		54	132	80	76	47

Verschraubung, flachdichtend,  
mit Universalpressanschluss und  
Innengewinde

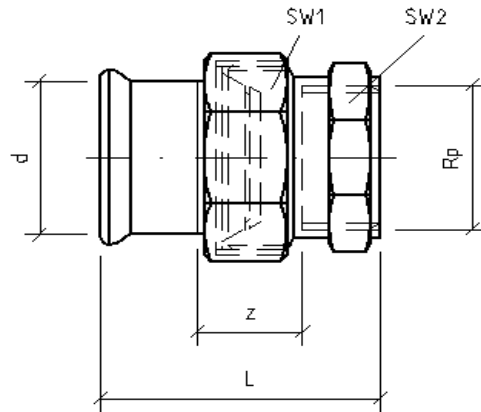
Union, flat seal, female end and  
female thread



SANHA-Press / PURAPRESS	SANHA-Press Gas	SANHA-Press Solar	d [mm]	Rp	L [mm]	SW1 [mm]	SW2 [mm]	z [mm]
183301512			15	1/2	49	30	25	18
183301534		1133301534	15	3/4	56	30	30	23
183301812			18	1/2	63	30	25	30
183301834		1133301834	18	3/4	70	30	30	35
183302234		1133302234	22	3/4	62	37	30	23
18330221		113330221	22	1	66	39	37	25
183302834			28	3/4	63	46	30	21
18330281		113330281	28	1	66	46	39	22
1833035114		11333035114	35	11/4	74	52	46	23
1833042112		11333042112	42	11/2	85	59	54	28
18330542		113330542	54	2	94	75	66	27

Verschraubung, konisch dichts-  
tend, mit Universalpressans-  
chluss und Innengewinde

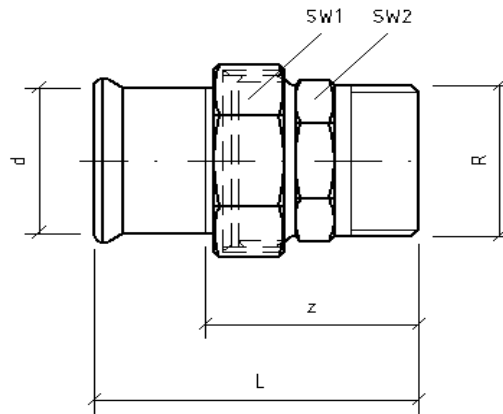
Union, conical seal, female end  
and female thread



SANHA-Press / PURAPRESS	SANHA-Press Gas	SANHA-Press Solar	d [mm]	Rp	L [mm]	SW1 [mm]	SW2 [mm]	z [mm]
	1113401512		15	1/2	60	34	31	29
	1113402234		22	3/4	65	40	40	26
	111340281		28	1	83	48	45	29
	11134035114		35	11/4	84	59	55	33
	111340542		54	2	101	80	76	34

Verschraubung, flachdichtend,  
mit Universalpressanschluss und  
Außengewinde

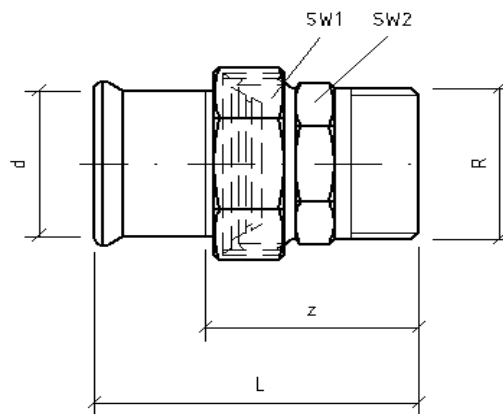
Union, brass-nut, flat seal, female  
end and male thread



SANHA-Press / PURAPRESS	SANHA-Press Gas	SANHA-Press Solar	d [mm]	R	L [mm]	SW1 [mm]	SW2 [mm]	z [mm]
183331238			12	3/8	52	24	17	36
183331212			12	1/2	56	24	22	40
183331512		1133331512	15	1/2	55	30	22	37
183331534		1133331534	15	3/4	61	30	27	43
183331812		1133331812	18	1/2	69	30	22	49
183331834		1133331834	18	3/4	74	30	27	54
183332212		1133332212	22	1/2	72	37	23	47
183332234		1133332234	22	3/4	66	37	27	42
18333221		113333221	22	1	70	37	34	46
183332834		1133332834	28	3/4	79	46	28	51
18333281		113333281	28	1	74	46	28	47
1833335114		11333335114	35	1 1/4	95	52	46	63
1833342112		11333342112	42	1 1/2	102	59	50	64
18333542		113333542	54	2	116	75	60	73

Verschraubung, konisch dichtend,  
mit Universalpressanschluss und Außengewinde

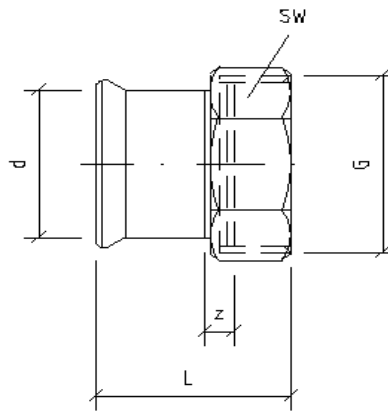
Union, conical seal, female end  
and male thread



SANHA-Press / PURAPRESS	SANHA-Press Gas	SANHA-Press Solar	d [mm]	R	L [mm]	SW1 [mm]	SW2 [mm]	z [mm]
	1113431512		15	1/2	61	34	31	43
	1113431812		18	1/2	70	40	40	49
	1113431834		18	3/4	75	40	40	54
	1113432234		22	3/4	71	40	40	46
	111343221		22	1	77	40	40	51
	1113432834		28	3/4	83	48	45	54
	111343281		28	1	83	48	45	54
	11134342112		42	1 1/2	104	72	68	67
	111343542		54	2	113	80	76	70

Verschraubung, flachdichtend,  
mit Universalpressanschluss und  
Befestigungsgewinde

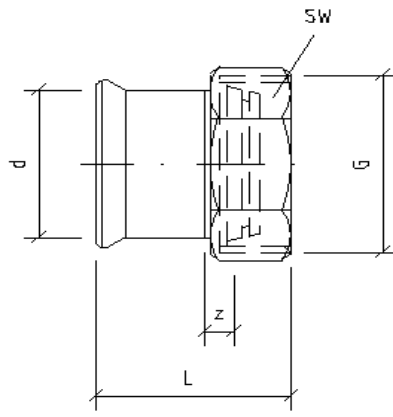
Union, flat seal, female end and  
female thread



SANHA-Press / PURAPRESS	SANHA-Press Gas	SANHA-Press Solar	d [mm]	G	L [mm]	SW [mm]	z [mm]
183591212	1113591212		12	1/2	28	24	5
183591234	1113591234		12	3/4	30	30	6
183591438			14	3/8	46	19	21
183591412			14	1/2	42	24	17
183591534	1113591534	1133591534	15	3/4	32	30	5
18359151	111359151	113359151	15	1	34	37	6
183591634			16	3/4	30	30	5
183591834	1113591834	1133591834	18	3/4	46	30	17
18359181	111359181	113359181	18	1	36	37	6
183592234	1113592234	1133592234	22	3/4	51	30	18
18359221	111359221	113359221	22	1	41	37	6
1835922114	11135922114	11335922114	22	11/4	38	46	3
1835922112	11135922112	11335922112	22	11/2	43	52	7
1835928114	11135928114	11335928114	28	11/4	46	46	6
1835928112	11135928112	11335928112	28	11/2	45	52	6
1835935112	11135935112	11335935112	35	11/2	52	52	6
18359352	111359352		35	2	54	64	7
1835942134			42	13/4	59	59	6
18359422	111359422	113359422	42	2	61	64	7
1835954238		11335954238	54	23/8	67	75	7
18359763		113359763	76,1	3	80	94	10
1835989312		11335989312	88,9	31/2	87	110	12

Verschraubung, konisch dichtend, mit Universalpressanschluss und Befestigungsgewinde

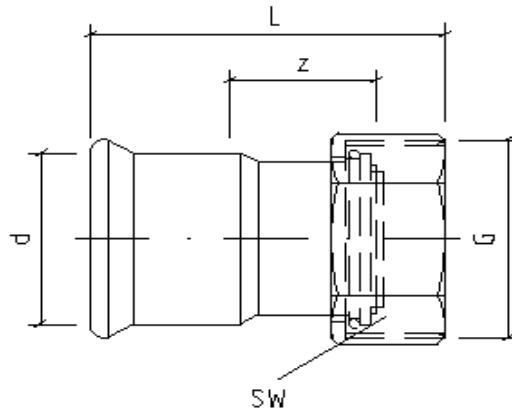
Union, conical seal, female end and female thread



SANHA-Press / PURAPRESS	SANHA-Press Gas	SANHA-Press Solar	d [mm]	G	L [mm]	SW [mm]	z [mm]
	1113601578		15	7/8	37	34	9
	11136018118		18	11/8	42	40	10
	11136022118		22	11/8	44	40	8
	11136028138		28	13/8	52	48	12

Verschraubung, flachdichtend, mit Universalpressanschluss und Befestigungsgewinde

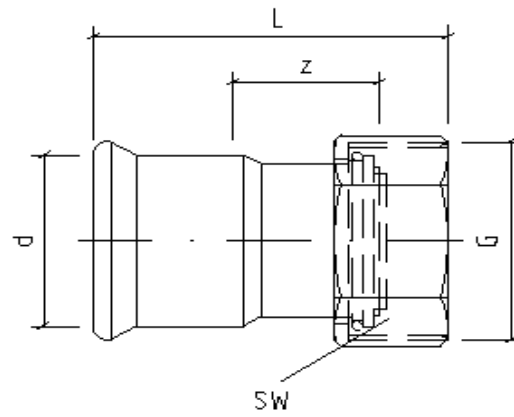
Union, flat seal, female end and female thread



SANHA-Press / PURAPRESS	SANHA-Press Gas	SANHA-Press Solar	d [mm]	G	L [mm]	SW [mm]	z [mm]
	111330JPC22		22	3/4	51	36	17
	111330JPC28M34		28	3/4	61	36	24
	111330JPC28M114		28	11/4	43	50	4
	111330JPC35		35	11/4	62	50	18
	111330JPC54		54	2	78	70	22

Verschraubung, flachdichtend,  
mit Universalpressanschluss und  
Befestigungsgewinde

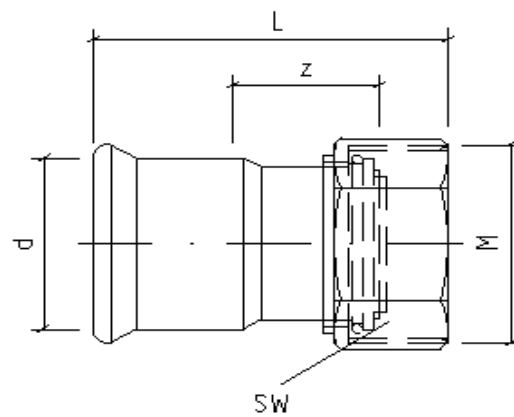
Union, flat seal, female end and  
female thread



SANHA-Press / PURAPRESS	SANHA-Press Gas	SANHA-Press Solar	d [mm]	G	L [mm]	SW [mm]	z [mm]
	111330JPG14M12		14	M 1/2	43	24	17
	111330JPG16M12		16	M 1/2	43	24	17
	111330JPG16M34		16	M 3/4	32	32	5
	111330JPG18M12		18	M 1/2	47	24	19
	111330JPG18M34		18	M 3/4	50	32	21
	111330JPG22M34		22	M 3/4	54	32	20
	111330JPG22M1		22	M 1	42	41	7
	111330JPG28		28	1 1/4	46	50	6
	111330JPG35		35	1 1/2	55	55	8
	111330JPG42		42	2	60	70	7
	111330JPG54		54	2 1/4	69	75	9

Verschraubung, flachdichtend,  
mit Universalpressanschluss und  
Befestigungsgewinde

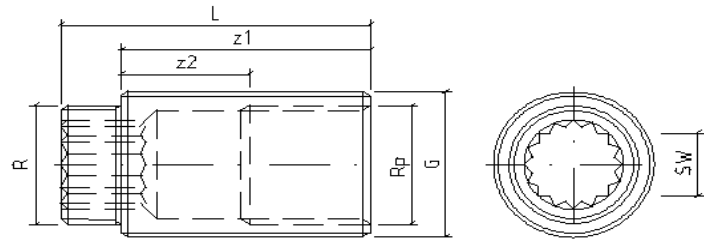
Union, flat seal, female end and  
female thread



SANHA-Press / PURAPRESS	SANHA-Press Gas	SANHA-Press Solar	d [mm]	M	L [mm]	SW [mm]	z [mm]
	111330GPL12M20		12	20 x 1,5	39	23	14
	111330GPL14M20		14	20 x 1,5	44	23	17

Verlängerung für  
Wanddurchführung

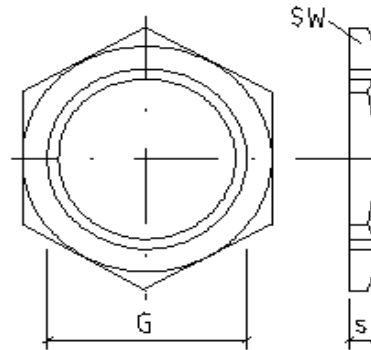
Extension piece



SANHA-Press / PURAPRESS	SANHA-Press Gas	SANHA-Press Solar	G	R	Rp	L [mm]	SW [mm]	z1 [mm]	z2 [mm]
	13514341218		3/4	1/2	1/2	33	12	18	5
	13514341230		3/4	1/2	1/2	45	12	30	17
	13514341245		3/4	1/2	1/2	60	12	45	32

Montagesatz für Wanddurchführung,  
bestehend aus einer Ms-  
Gegenmutter und 2 Dichtungen

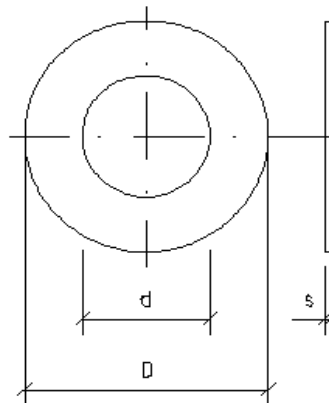
Installation set for lightweight  
walls, comprising one brass nut  
and 2 seals



SANHA-Press / PURAPRESS	SANHA-Press Gas	SANHA-Press Solar	G	s [mm]	SW [mm]
	291234		3/4	6	34

Hochdruckflanschdichtung,  
asbestfrei

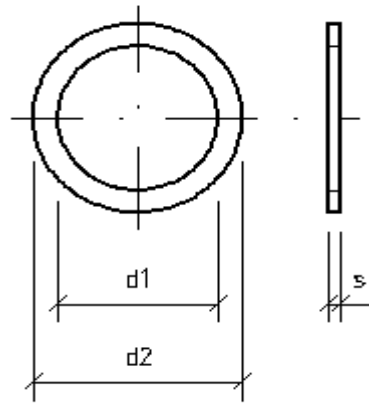
High-pressure flange, seal, free of  
asbestos



SANHA-Press / PURAPRESS	SANHA-Press Gas	SANHA-Press Solar	DN	D [mm]	d [mm]	s [mm]
	1D15		15	51	22	2
	1D20		20	61	27	2
	1D25		25	71	34	2
	1D32		32	82	43	2
	1D40		40	92	49	2
	1D50		50	107	61	2
	1D65		65	127	77	2
	1D80		80	142	89	2
	1D100		100	168	115	2

Dichtung aus EPDM

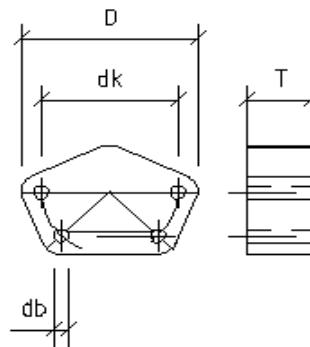
Seal made of EPDM



SANHA-Press / PURAPRESS	SANHA-Press Gas	SANHA-Press Solar	G	d1 [mm]	d2 [mm]	s [mm]
1DEPM38			3/8	14	8	3
1DEPM12			1/2	18	11	3
1DEPM34			3/4	24	17	3
1DEPM1			1	30	21	3
1DEPM114			1 1/4	38	27	3
1DEPM112			1 1/2	44	32	3
1DEPM134			1 3/4	50	37	3
1DEPM2			2	55	42	3
1DEPM238			2 3/8	65	55	3
1DEPM3			3	85	70	3
1DEPM312			3 1/2	97	75	3

Distanzstück

Spacer

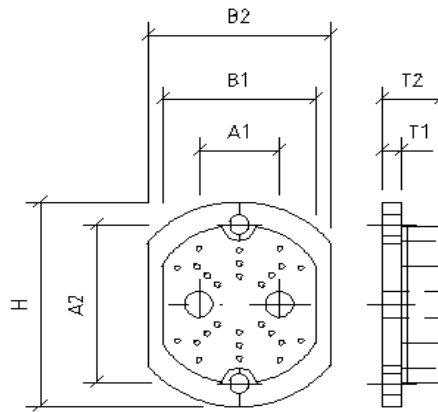


SANHA-Press / PURAPRESS	SANHA-Press Gas	SANHA-Press Solar	D [mm]	db [mm]	dk [mm]	T [mm]
	8898218		52	5	40	18
	8898219		52	5	40	19
	8898225		52	5	40	25



## Universalschalltrenner

### Insulation plate



SANHA-Press / PURAPRESS	SANHA-Press Gas	SANHA-Press Solar	A1 [mm]	A2 [mm]	B1 [mm]	B2 [mm]	H [mm]	T1 [mm]	T2 [mm]
88981			25	61	54	64	81	7	21

Änderungen bezüglich technischer Angaben sowie Druckfehler sind vorbehalten.

Technical characteristics and misprints are subjects to changes.

Stand / Version: 04.2018