

3fit<sup>®</sup>-Press

**SANHA<sup>®</sup>**  
Passt immer.

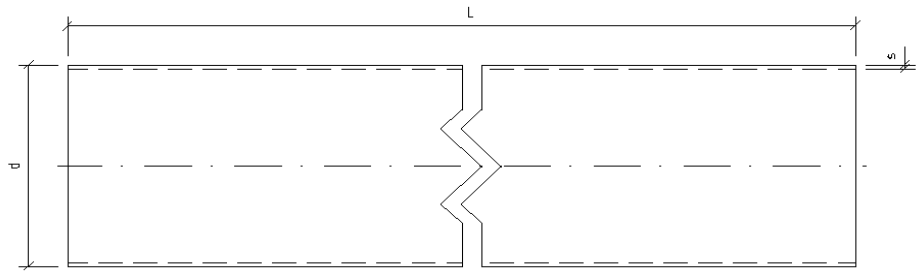


Z-Maße / Installation dimensions

[www.sanha.com](http://www.sanha.com)

## Systemrohr

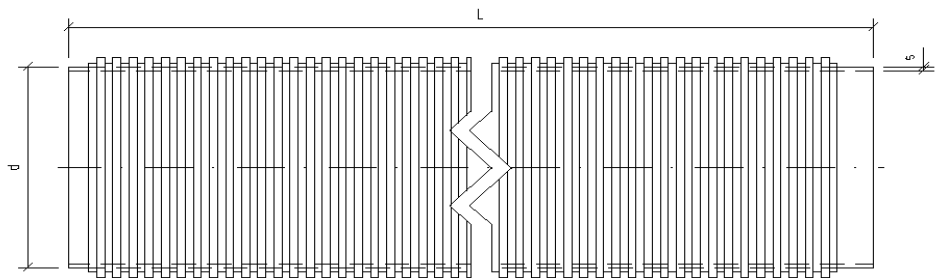
## System pipe



MultiFit-Flex	d [mm]	L [mm]	s [mm]
12300016	16	200	2,0
12300016100	16	100	2,0
12300020	20	100	2,0
12300026	26	50	3,0
12300032	32	50	3,0
12310016	16	5	2,0
12310020	20	5	2,0
12310026	26	5	3,0
12310032	32	5	3,0
12310040	40	5	3,5
12310050	50	5	4,0
12310063	63	5	4,5

## Systemrohr, mit Schutzrohr

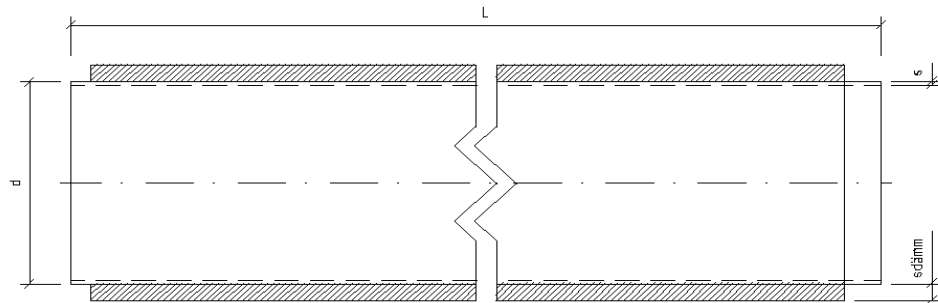
## System pipe, with casing



MultiFit-Flex protect	d [mm]	L [mm]	s [mm]
12320016B	16	75	2,0
12320020B	20	75	2,0
12320016R	16	75	2,0
12320020R	20	75	2,0

**Systemrohr,  
gedämmt**

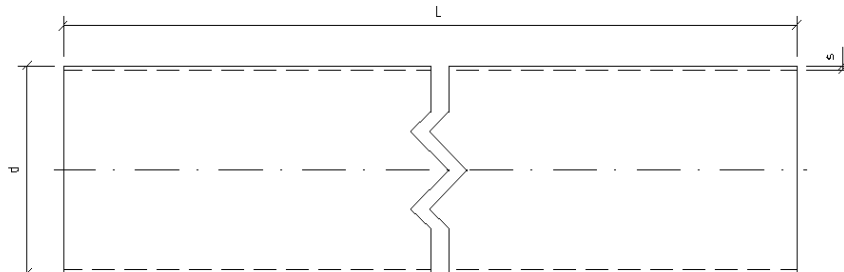
**System pipe, with  
insolation**



MultiFit-Flex ISO	d [mm]	L [mm]	s [mm]	s <sub>dämm</sub> [mm]
12330016	16	50	2,0	9,0
12330020	20	50	2,0	9,0
12330026	26	50	3,0	9,0
12331032	32	50	3,0	9,0
12330016.13	16	50	2,0	13,0
12330020.13	20	50	2,0	13,0
12330026.13	26	50	3,0	13,0
12331032.13	32	50	3,0	13,0

**Systemrohr**

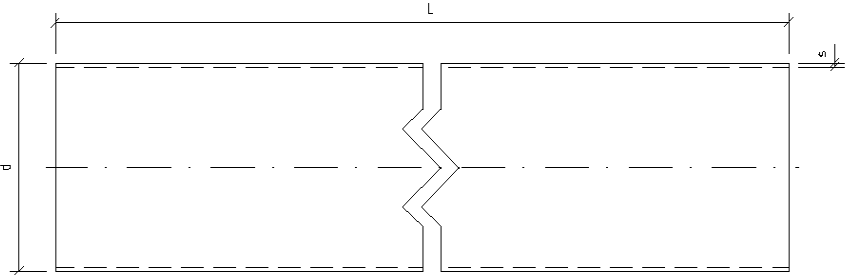
**System pipe**



MultiFit-PEX	d [mm]	L [mm]	s [mm]
12340016	16	200	2,0
12340020	20	100	2,0

**Systemrohr**

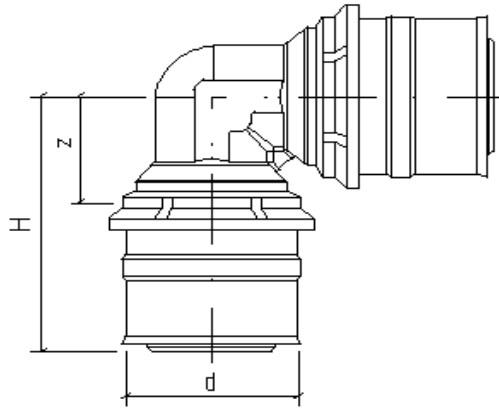
**System pipe**



MultiFit-PE-RT	d [mm]	L [mm]	s [mm]
12350016	16	400	2,0

**Winkel 90°, beidseitig mit  
Universalpressanschluss**

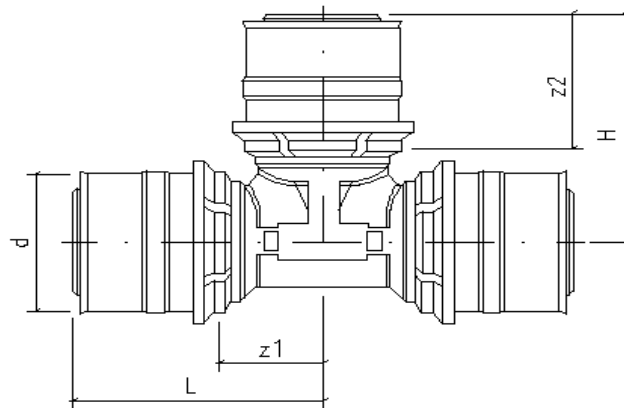
**Bend 90°, female ends**



3fit-Press (CuSi)	d [mm]	H [mm]	z [mm]
32509016	16	42	16
32509020	20	44	18
32509026	26	51	23
32509032	32	56	25
32509040	40	70	26
32509050	50	81	32
32509063	63	94	39

**T-Stück, allseitig mit Univer-  
salpressanschluss**

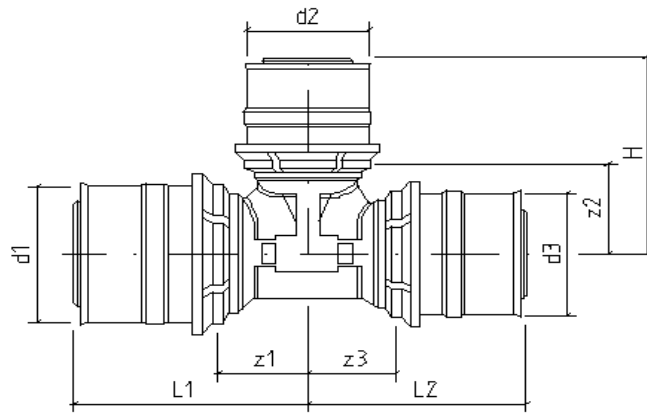
**Tee, female ends**



3fit-Press (CuSi)	d [mm]	H [mm]	L [mm]	z1 [mm]	z2 [mm]
32513016	16	42	42	16	16
32513020	20	44	44	18	18
32513026	26	51	51	23	23
32513032	32	56	56	25	25
32513040	40	70	70	26	26
32513050	50	81	81	32	32
32513063	63	94	94	39	39

**T-Stück, allseitig mit Universalpressanschluss**

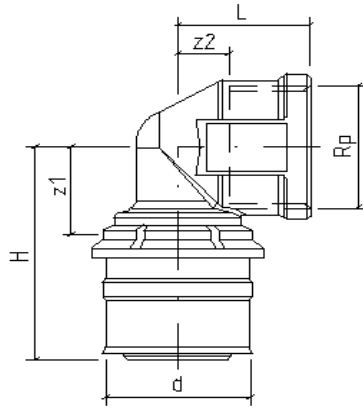
Tee, female ends



3fit-Press (CuSi)	d1 [mm]	d2 [mm]	d3 [mm]	H [mm]	L1 [mm]	L2 [mm]	z1 [mm]	z2 [mm]	z3 [mm]
325130162016	16	20	16	44	44	44	18	18	18
325130201616	20	16	16	42	44	42	16	16	18
325130201620	20	16	20	42	44	42	16	16	18
325130202016	20	20	16	44	44	44	18	18	18
325130202620	20	26	20	48	51	47	22	21	23
325130261626	26	16	26	46	47	46	17	17	21
325130262020	26	20	20	48	47	44	19	18	21
325130262026	26	20	26	48	47	48	19	19	21
325130262616	26	26	16	51	51	47	23	21	23
325130262620	26	26	20	51	51	47	23	21	23
325130321632	32	16	32	50	50	50	19	19	24
325130322032	32	20	32	50	50	50	19	19	24
325130322632	32	26	32	56	54	56	25	25	26
325130402640	40	26	40	70	61	70	26	26	34
325130403232	40	32	32	70	64	64	26	32	32
325130403240	40	32	40	70	64	70	26	26	32
325130502650	50	26	50	81	67	81	32	32	40
325130504050	50	40	50	81	76	81	32	32	32
325130634063	63	40	63	82	83	82	26	26	39

Winkel 90°, mit Universal-  
pressanschluss und Innen-  
gewinde

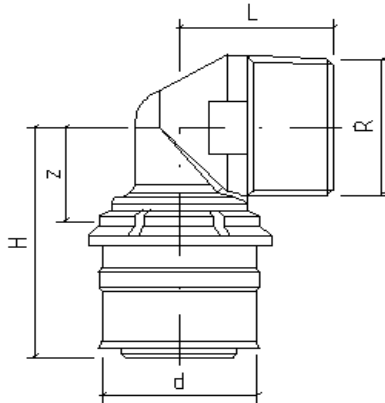
Elbow 90°, female end and  
female thread



3fit-Press (CuSi)	d [mm]	Rp	H [mm]	L [mm]	z1 [mm]	z2 [mm]
325090G1612	16	1/2	44	20	18	7
325090G2012	20	1/2	45	23	19	10
325090G2034	20	3/4	47	23	21	8
325090G2634	26	3/4	51	26	23	11
325090G261	26	1	54	33	26	16
325090G321	32	1	56	33	25	16

Winkel 90°, mit Universal-  
pressanschluss und Außen-  
gewinde

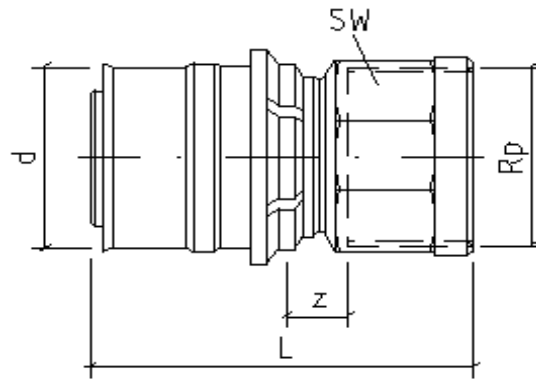
Elbow 90°, female end and  
male thread



3fit-Press (CuSi)	d [mm]	R	H [mm]	L [mm]	z [mm]
325092G1612	16	1/2	43	26	17
325092G2012	20	1/2	43	26	17
325092G2034	20	3/4	45	30	19
325092G2634	26	3/4	48	30	20
325092G261	26	1	54	36	26
325092G321	32	1	56	36	25

**Übergangsmuffe, mit Universalpressanschluss und Innengewinde**

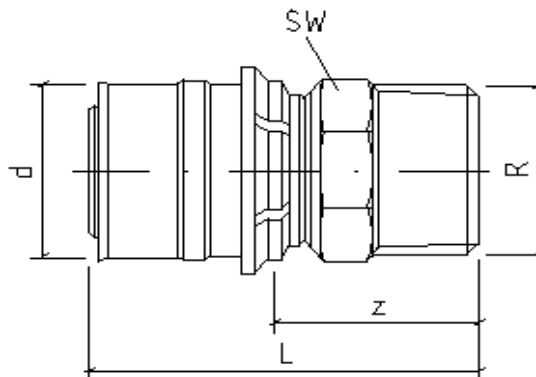
Transition coupling, female end and female thread



3fit-Press (CuSi)	d [mm]	Rp	L [mm]	SW [mm]	z [mm]
325270G1612	16	1/2	51	24	12
325270G2012	20	1/2	51	24	12
325270G2034	20	3/4	52	30	11
325270G2034	26	3/4	54	30	11
325270G261	26	1	62	37	17
325270G321	32	1	64	37	17

**Übergangsnippel, mit Universalpressanschluss und Außengewinde**

Adaptor, female end and male thread

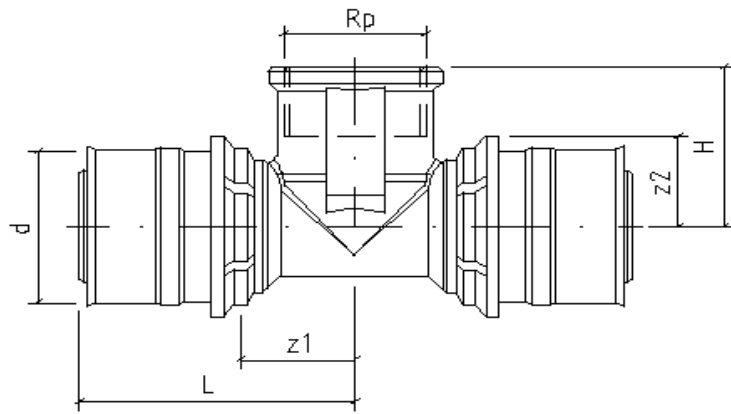


3fit-Press (CuSi)	d [mm]	R	L [mm]	SW [mm]	z [mm]
325243G1638	16	3/8	52	19	26
325243G1612	16	1/2	54	22	28
325243G1634	16	3/4	56	28	30
325243G2012	20	1/2	54	22	28
325243G2034	20	3/4	56	28	30
325243G2634	26	3/4	58	28	30
325243G261	26	1	62	35	34
325243G321	32	1	65	35	33
325243G32114	32	1 1/4	67	46	36
325243G40114	40	1 1/4	79	46	36
325243G50112	50	1 1/2	88	52	39
325243G632	63	2	98	65	43



**T-Stück, beidseitig mit Universalpressanschluss und Innengewinde**

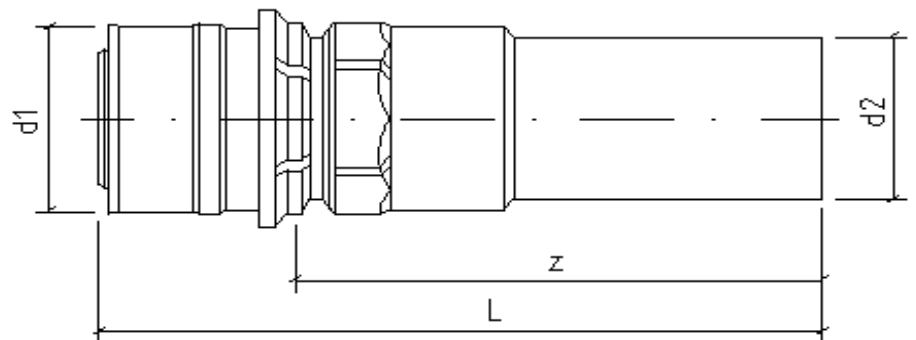
**Tee, both sides female ends and female thread**



3fit-Press (CuSi)	d [mm]	Rp	H [mm]	L [mm]	z1 [mm]	z2 [mm]
325130G1612	16	1/2	45	22	19	9
325130G2012	20	1/2	45	22	19	9
325130G2612	26	1/2	48	22	20	9
325130G2634	26	3/4	51	26	23	11
325130G3234	32	3/4	57	23	25	8
325130G321	32	1	57	26	25	9
325130G4034	40	3/4	70	33	26	18
325130G401	40	1	70	43	26	26
325130G50114	50	1 1/4	81	48	32	29

**Übergangsnippel, mit Universalpressanschluss und Einsteckende**

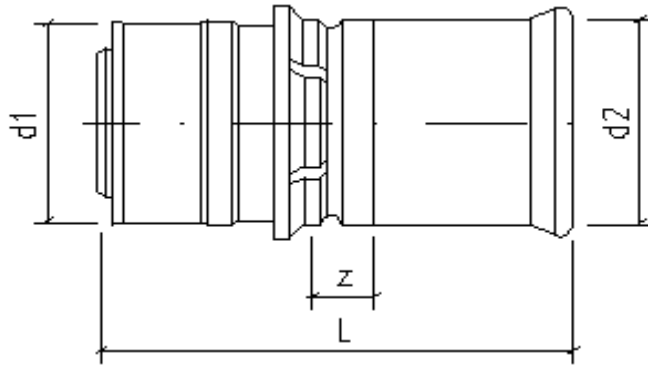
**Transition adaptor, female and male plain end**



3fit-Press (CuSi)	d1 [mm]	d2 [mm]	L [mm]	z1 [mm]
3252711612	16	12	87	61
3252711615	16	15	90	64
3252712022	20	22	102	76
3252712622	26	22	103	75

**Übergangsmuffe, beidseitig  
mit Universalpressan-schluss**

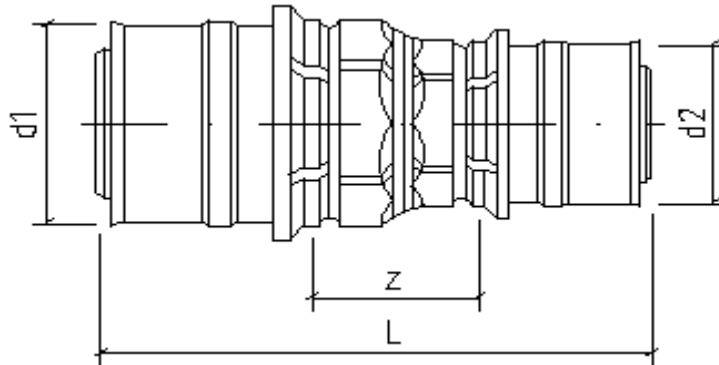
**Transition coupling, female  
ends**



3fit-Press (CuSi)	d1 [mm]	d2 [mm]	L [mm]	z1 [mm]
3252721612	16	12	60	18
3252721615	16	15	63	19
3252722022	20	22	70	20
3252722622	26	22	76	23

**Reduziermuffe, beidseitig mit  
Universalpressan-schluss**

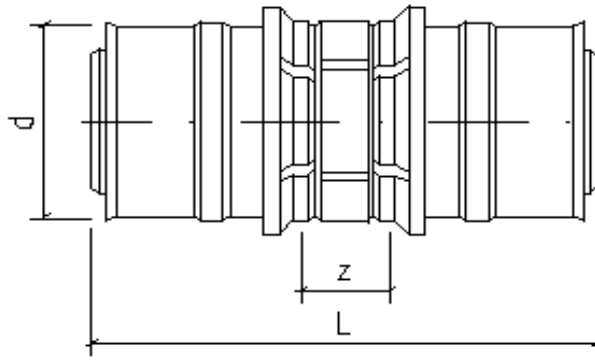
**Reducing coupling, female  
ends**



3fit-Press (CuSi)	d1 [mm]	d2 [mm]	L [mm]	z1 [mm]
3252402016	20	16	67	15
3252402616	26	16	72	18
3252402620	26	20	72	18
3252403220	32	20	75	18
3252403226	32	26	78	18
3252404026	40	26	83	13
3252404032	40	32	86	11
3252405032	50	32	92	11
3252405040	50	40	104	12
3252406340	63	40	110	12
3252406350	63	50	116	12

Muffe, beidseitig mit Universalpressanschluss

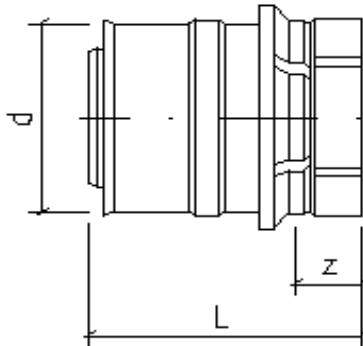
Coupling, female ends



3fit-Press (CuSi)	d [mm]	L [mm]	z [mm]
32527016	16	67	15
32527020	20	67	15
32527026	26	75	18
32527032	32	80	17
32527040	40	98	12
32527050	50	109	12
32527063	63	122	12

Stopfen, mit Universalpressanschluss

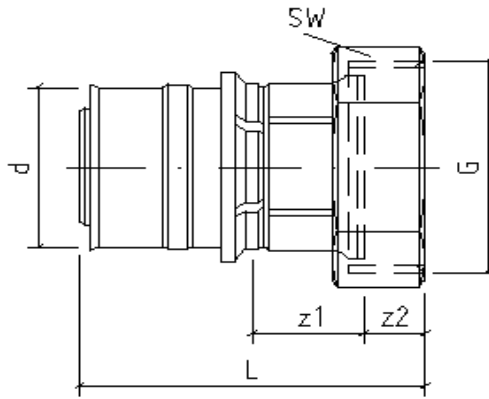
Plug, female end



3fit-Press (CuSi)	d [mm]	L [mm]	z [mm]
32529016	16	38	12
32529020	20	36	10
32529026	26	42	13
32529032	32	46	14

Verschraubung, flachdichtend, mit Universalpressanschluss und Befestigungsgewinde

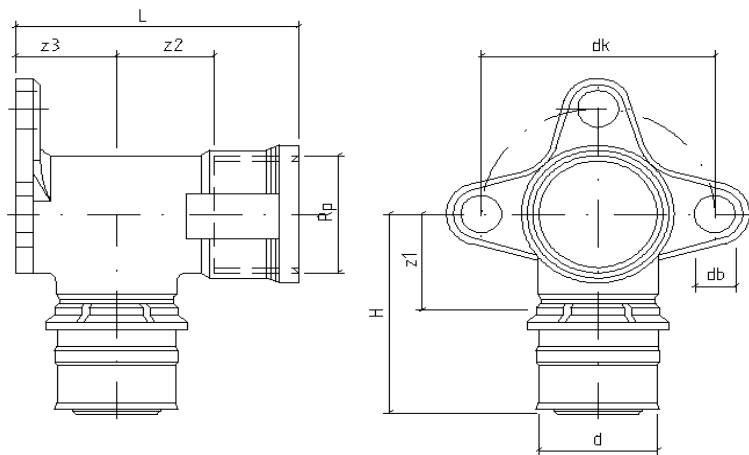
Union, flat seal, female end and female thread



3fit-Press (CuSi)	d [mm]	G	L [mm]	SW [mm]	z1 [mm]	z2 [mm]
325359G1612	16	1/2	42	24	7	9
325359G1634	16	3/4	42	30	7	9
325359G2012	20	1/2	43	24	8	9
325359G2034	20	3/4	42	30	7	9
325359G261	26	1	47	36	9	10
325359G32114	32	1 1/4	50	46	8	11
325359G40112	40	1 1/2	64	52	9	12

Wandscheibe, mit Universalpressanschluss und Innengewinde

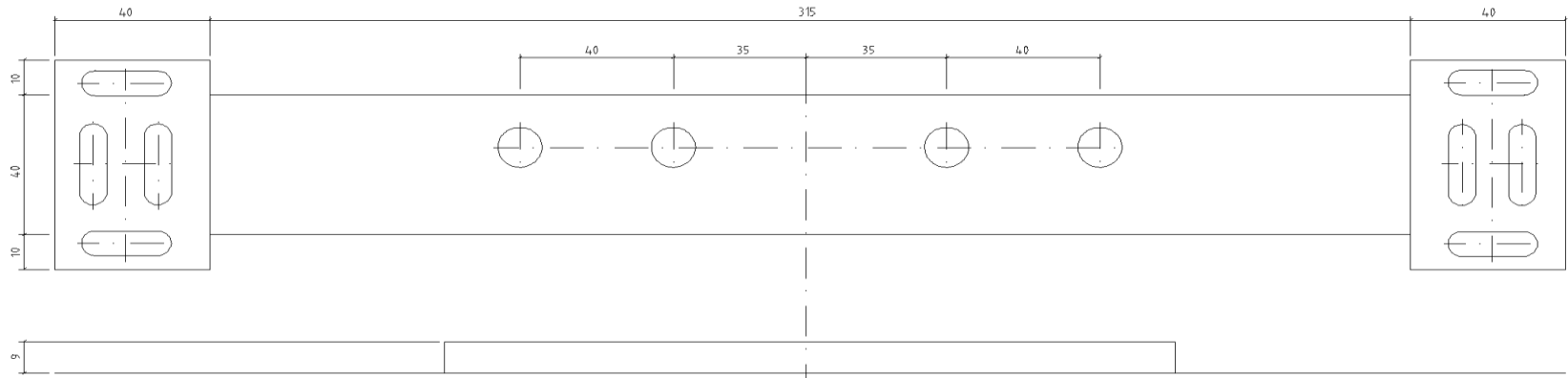
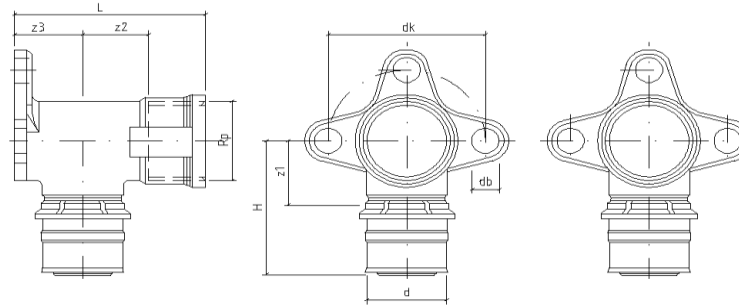
Wall plate, female end and female thread



3fit-Press (CuSi)	d [mm]	Rp	db [mm]	dk [mm]	H [mm]	L [mm]	z1 [mm]	z2 [mm]	z3 [mm]
325473G1612	16	1/2	7	40	43	40	17	16	11
325473G2012	20	1/2	7	40	43	40	17	16	11
325473G2034	20	3/4	7	40	47	57	21	19	33
325473G2634	26	3/4	7	40	50	57	24	19	33

**Montageset mit 2 Wand-  
scheiben, mit Universal-  
pressanschluss und Innen-  
gewinde**

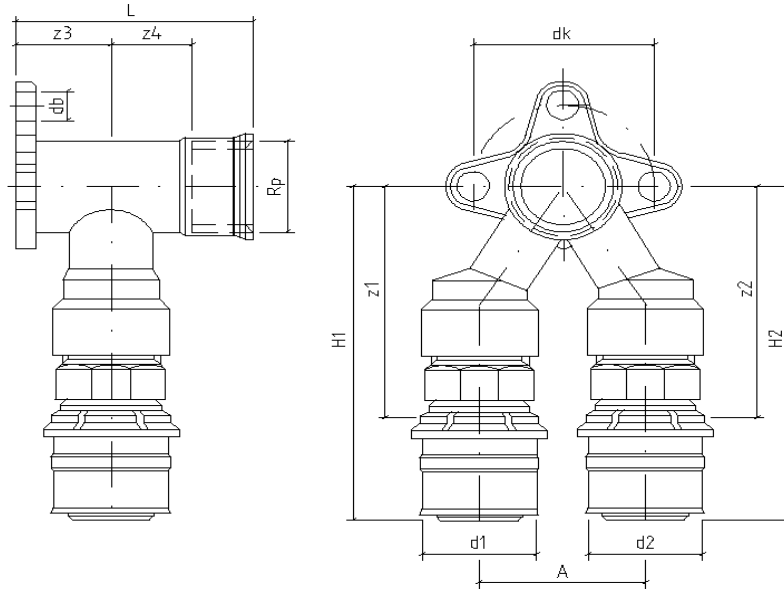
**Installation set with 2 wall  
plates, female end and female  
thread**



3fit-Press (CuSi)	d [mm]	Rp	db [mm]	dk [mm]	H [mm]	L [mm]	z1 [mm]	z2 [mm]	z3 [mm]
325980G1612	16	1/2	7	40	43	40	17	16	11
325980G2012	20	1/2	7	40	43	40	17	16	11

Doppelwandscheibe, beid-  
seitig mit Universalpress-  
anschluss und Innengewinde

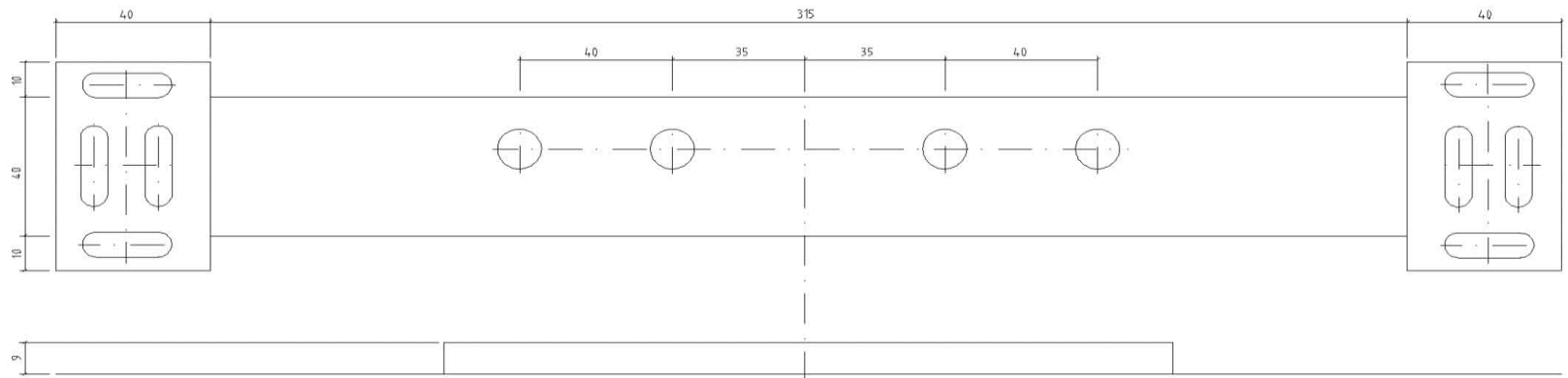
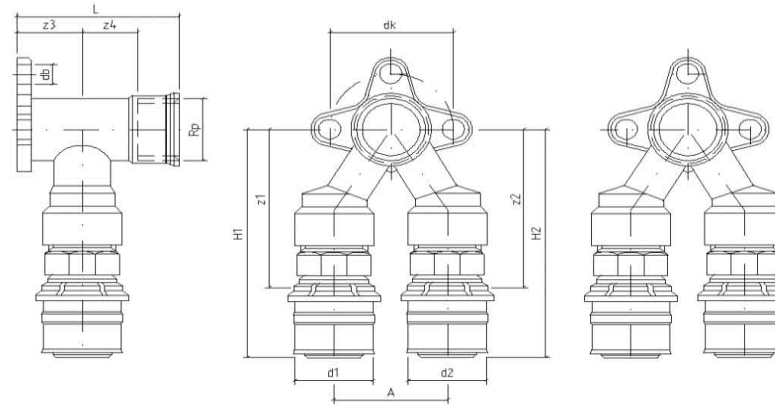
Double wall plate, both sides  
Double wall plate, both sides  
female end and female thread



3fit-Press (CuSi)	d1 [mm]	d2 [mm]	Rp	A [mm]	db [mm]	dk [mm]	H [mm]	L1 [mm]	L2 [mm]	z1 [mm]	z2 [mm]	z3 [mm]	z4 [mm]
325478GZ161216	16	16	1/2	40	7	40	76	50	76	50	50	18	19
325478GZ161220	16	20	1/2	40	7	40	76	50	76	50	50	18	19
325478GZ201216	20	16	1/2	40	7	40	76	50	76	50	50	18	19
325478GZ201220	20	20	1/2	40	7	40	76	50	76	50	50	18	19

**Montageset mit 2 Doppelwandscheiben, beidseitig mit Universalpressanschluss und Innengewinde**

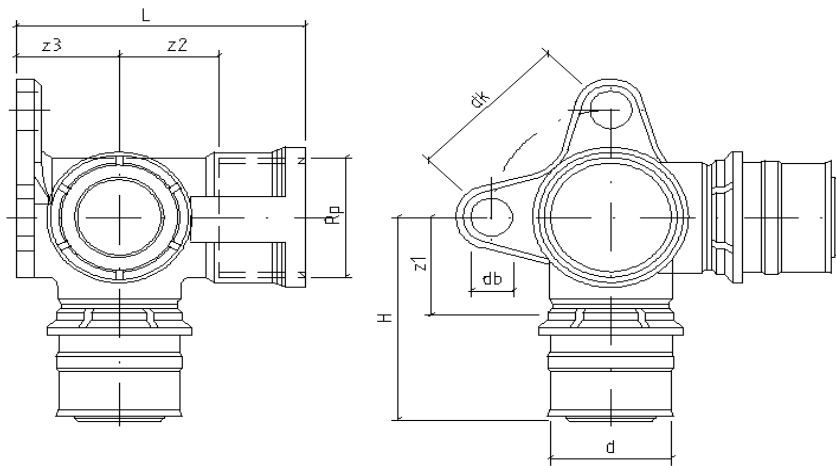
**Installation set with 2 double wall plates, both sides female end and female thread**



3fit-Press (CuSi)	d1 [mm]	d2 [mm]	Rp	A [mm]	db [mm]	dk [mm]	H [mm]	L1 [mm]	L2 [mm]	z1 [mm]	z2 [mm]	z3 [mm]	z4 [mm]
325981G161216	16	16	1/2	40	7	40	76	50	76	50	50	18	19
325981G161220	16	20	1/2	40	7	40	76	50	76	50	50	18	19
325981G201216	20	16	1/2	40	7	40	76	50	76	50	50	18	19
625981G201220	20	20	1/2	40	7	40	76	50	76	50	50	18	19

**Wandscheibe, mit 2 Universalpressanschluss und Innengewinde**

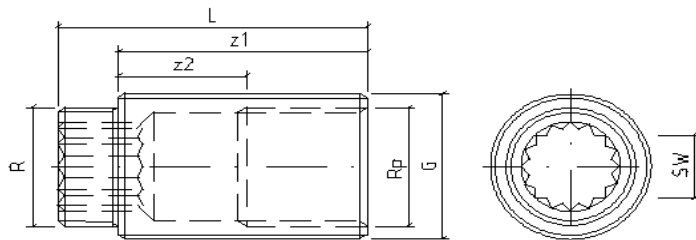
**Wall plate, 2 female ends and female thread**



3fit-Press (CuSi)	d [mm]	Rp	db [mm]	dk [mm]	H [mm]	L [mm]	z1 [mm]	z2 [mm]	z3 [mm]
325478G161216	16	1/2	7	40	45	60	19	23	24
325478G201220	20	1/2	7	40	45	60	19	23	24

**Verlängerung für Wanddurchführung**

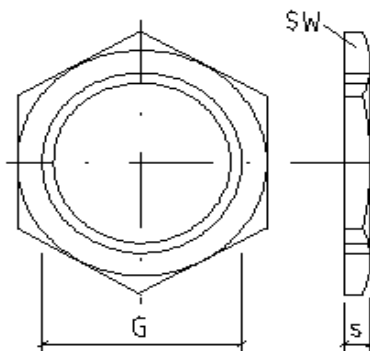
**Extension piece**



3fit-Press (CuSi)	G	R	Rp	L [mm]	SW [mm]	z1 [mm]	z2 [mm]
13514341218	3/4	1/2	1/2	33	12	18	5
13514341230	3/4	1/2	1/2	45	12	30	17
13514341245	3/4	1/2	1/2	60	12	45	32

**Montagesatz für Wanddurchführung, bestehend aus einer Ms-Gegenmutter und 2 Dichtungen**

**Installation set for light-weight walls, comprising one brass nut and 2 seals**

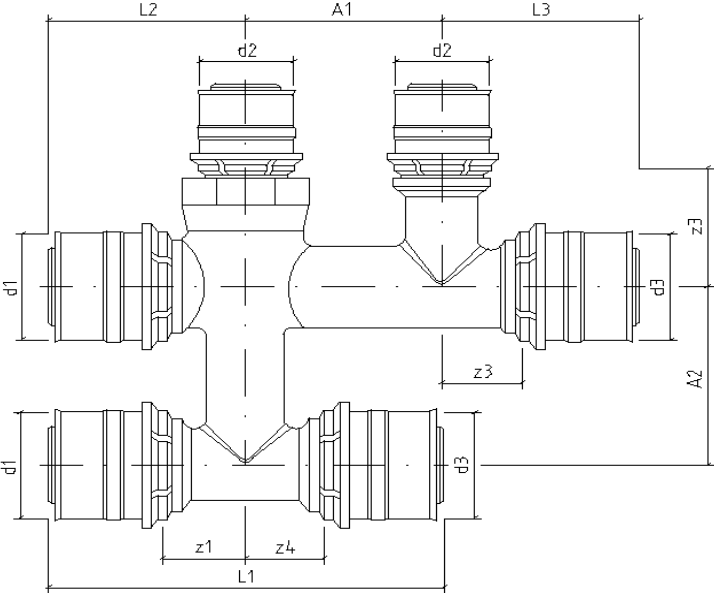


SANHA-Press / PURAPRESS	G	s [mm]	SW [mm]
291234	3/4	6	34



**Kreuzungs-T-Stück, allseitig  
mit Universalpressanschluss**

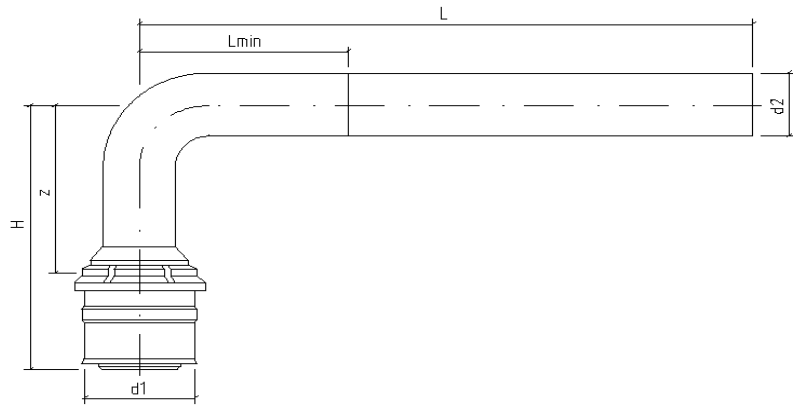
**Cross tee, female ends**



3fit-Press (CuSi)	d1 [mm]	d2 [mm]	d3 [mm]	A1 [mm]	A2 [mm]	H [mm]	L1 [mm]	L2 [mm]	L3 [mm]	z1 [mm]	z2 [mm]	z3 [mm]	z4 [mm]
<b>325580116</b>	16	16	16	45	40	89	89	45	45	19	28	18	18
<b>3255801201616</b>	20	16	16	45	40	89	89	45	45	19	28	18	18
<b>3255801201620</b>	20	16	20	45	40	89	89	45	45	19	28	18	18

**Heizkörperanschluss-Bogen  
90°, mit Universal-  
pressanschluss und Ein-  
steckende**

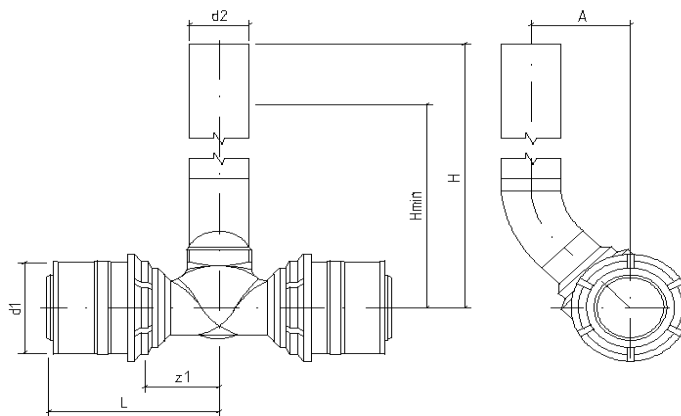
**Radiator connection bend 90°,  
female end and male plain  
end**



3fit-Press (CuSi)	d1 [mm]	d2 [mm]	H [mm]	L [mm]	Lmin [mm]	z [mm]
12500316300	16	15	90	300	60	64
12500320300	20	15	90	300	60	64

**Heizkörperanschluss-T-Stück,  
beidseitig mit Univer-  
salpressanschluss und Ein-  
steckende**

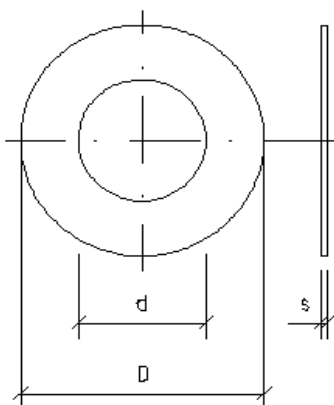
**Radiator connection tee,  
female ends and male plain  
end**



3fit-Press (CuSi)	d1 [mm]	d2 [mm]	A [mm]	H [mm]	Hmin [mm]	L [mm]	z [mm]
32513116300	16	15	25	290	60	47	21
32513120300	20	15	25	290	60	47	21

Hochdruckflanschdichtung,  
asbestfrei

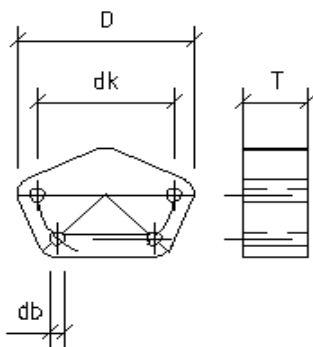
High-pressure flange, seal,  
free of asbestos



NiroSan	DN	D [mm]	d [mm]	s [mm]
1D15	15	51	22	2
1D20	20	61	27	2
1D25	25	71	34	2
1D32	32	82	43	2
1D40	40	92	49	2
1D50	50	107	61	2
1D65	65	127	77	2
1D80	80	142	89	2
1D100	100	168	115	2

Distanzstück

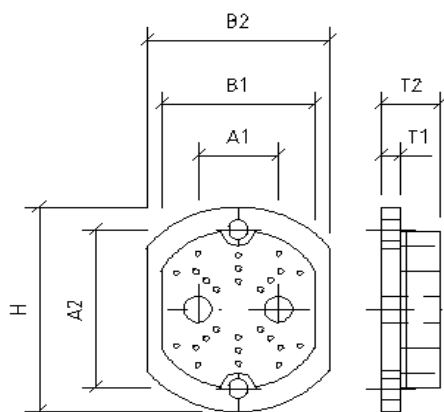
Spacer



NiroSan	D [mm]	db [mm]	dk [mm]	T [mm]
8898218	52	5	40	18
8898219	52	5	40	19
8898225	52	5	40	25

## Universalschalltrenner

### Insulation plate



NiroSan	A1 [mm]	A2 [mm]	B1 [mm]	B2 [mm]	H [mm]	T1 [mm]	T2 [mm]
88981	25	61	54	64	81	7	21

Änderungen bezüglich technischer Angaben sowie Druckfehler sind vorbehalten.

Technical characteristics and misprints are subjects to changes.

Stand / Version: 04.2018